

# Techtrol Microcontroller Loop Powered Indicator - TLPI



It is an advanced and sophisticated microcontroller based 2 wire Loop Powered Indicator with LED/LCD display. It works on 4-20mA input current from transmitter.

## Salient Features :

1. Accuracy  $\pm 0.25\%$  of FSD
2. 4 digit LED/LCD display
3. Display in %, mm & mtrs
4. Reverse Voltage Protection
5. Easy programming with push buttons
6. Offset facility to compensate field error

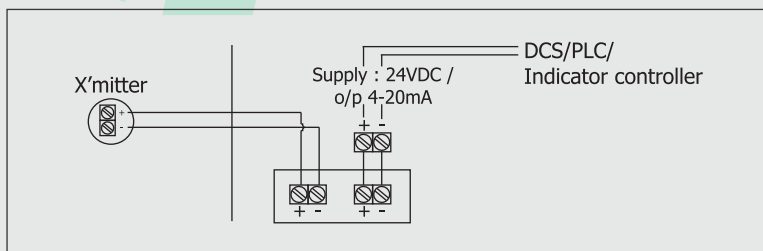
## Construction and Operation :

The electronic circuitry is housed in wall mounted ABS / AI enclosure. It operates on 4-20mA input DC signal and gives precise indication in percentage of range or any desired engg. units. The Indicator display can be calibrated to display any linear variable represented by 4-20mA signal viz Level.

## Specifications :

Input	: 4 - 20 mA
Range	: 0 to 9999
Indication	: 4 digit LED/LCD display
Accuracy	: $\pm 0.25\%$
Loop Voltage drop	: <5 VDC
Mounting	: Wall
Terminals	: Suitable for 1.5mm <sup>2</sup> conductor
Amb Temp	: 60°C
Humidity	: Below 95% Rh non condensing
Enclosure	: 1) MOC : ABS Protection : WP IP-65 Size : 80 x 120 x 55 Ht
	: 2) MOC : Cast AI Protection : Ex-p Gr IIB Size : 145 x 145 x 100Ht
Cable Gland	: PG 9 x 2nos - WP enclosure : 1/2"NPT x 2nos - Ex-p enclosure

## Termination :

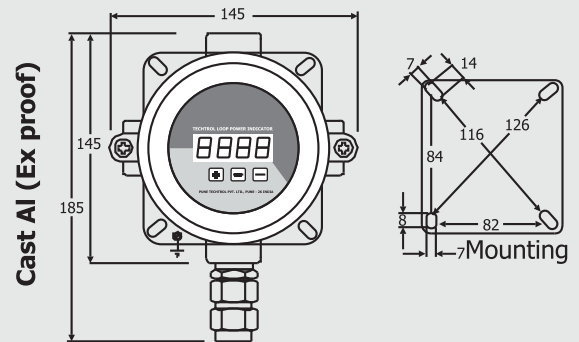
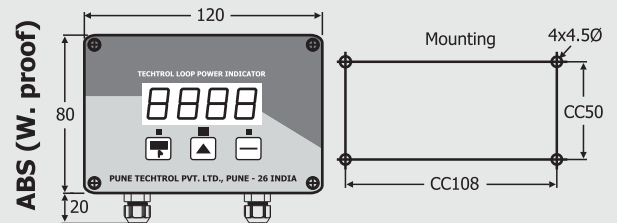


Cast AI (Ex proof)



ABS (W.proof)

## Dimensions :



## Model Identification :

	TLPI -	
<b>Indication</b>	LED	1
	LCD	2
<b>Enclosure</b>	W Proof IP 66	J
	Ex Proof Gr IIA & IIB	E

Pune Techtrol Pvt Ltd [CIN : U31909PN1991PTC063403]

S-18, MIDC, Bhosari, Pune - 411026. India  
 ☎ +91-20-66342900 ✉ ho@punetechtrol.com 🌐 www.punetechtrol.com  
 Works : J-52/7, MIDC, Bhosari, Pune - 411026. India ☎ +91-20-67313600

Custom built specs./options available on demand.

We reserve the right to modify design and specifications without prior notice.



R A T E D  
NSIC-CRISIL SE1A

CAT/0070/REV-01/04-12

\*All dimensions in mm except specified.